

# INSTALLATION INSTRUCTIONS

Instl. No. I-298D

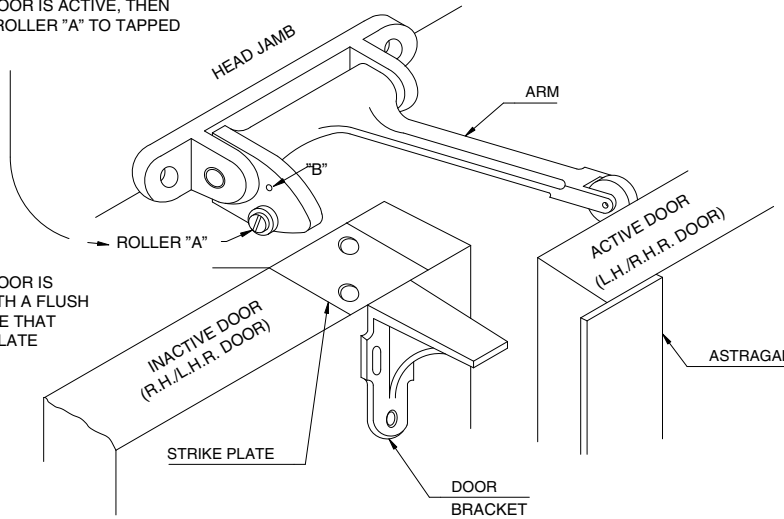
HAGER RESERVES THE RIGHT TO MAKE PRODUCT CHANGES AND IS NOT RESPONSIBLE FOR OBSOLETE TEMPLATE ERRORS. CALL 1-800-325-9995 FOR CURRENT INFORMATION.

REV. NO.	REVISIONS	BY	DATE
2	PER ECO TA03128	RAM	12-19-03

## COORDINATOR DEVICE

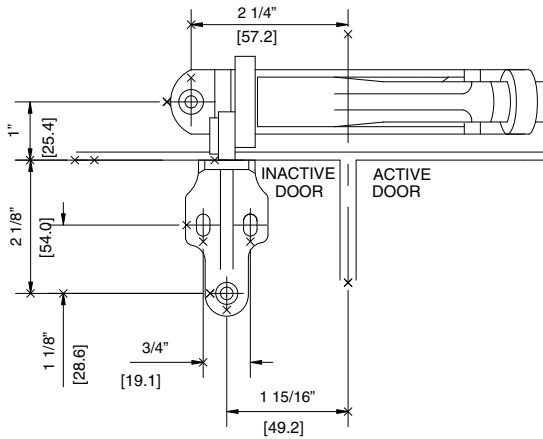
NOTE:  
IF R.H. DOOR IS ACTIVE, THEN SWITCH ROLLER "A" TO TAPPED HOLE "B".

NOTE:  
IF INACTIVE DOOR IS EQUIPPED WITH A FLUSH BOLT, BE SURE THAT THE STRIKE PLATE CLEARS THE BOLT.

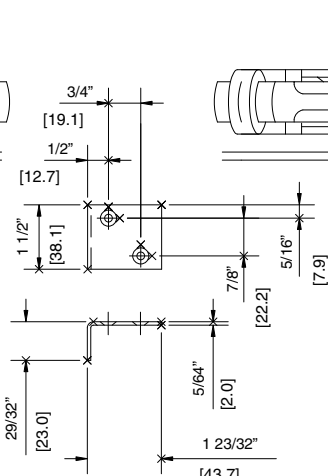


### ILLUSTRATION OF L.H./R.H.R. ACTIVE DOOR INSTALLATION

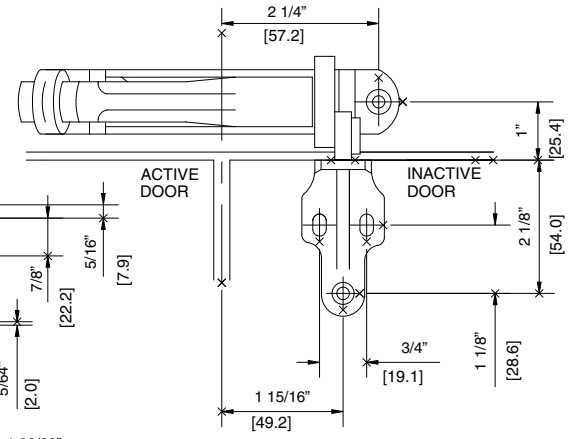
ALL NON-BRACKETED DIMENSIONS ARE IN INCHES, ALL BRACKETED DIMENSIONS ARE IN MILLIMETERS.



L.H./R.H.R. ACTIVE DOOR INSTALLATION



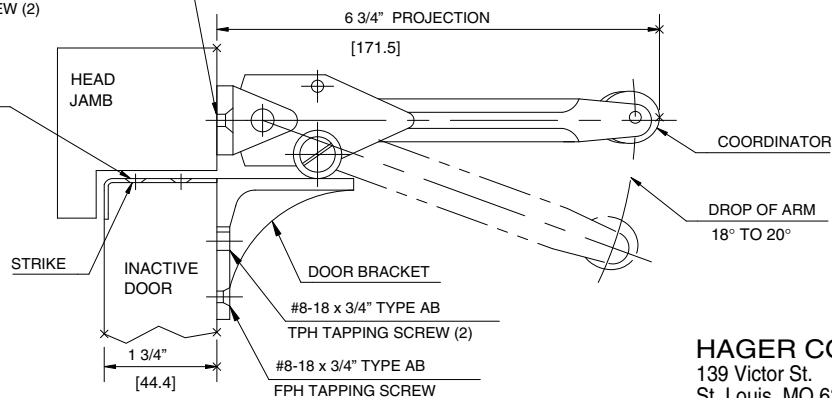
STRIKE PLATE



R.H./L.H.R. ACTIVE DOOR INSTALLATION

- #12-14 x 1" TYPE AB OPH TAPPING SCREW (2)
- #12-24 x 3/4" FPH MACHINE SCREW (2)

- #8-18 x 3/4" TYPE AB FPH TAPPING SCREW (2)



FASTENER INSTALLATION- SIDE VIEW  
DO NOT SCALE

DROP OF ARM  
18° TO 20°



HAGER COMPANIES  
139 Victor St.  
St. Louis, MO 63104  
www.hagerco.com

Instl. No. I-298D